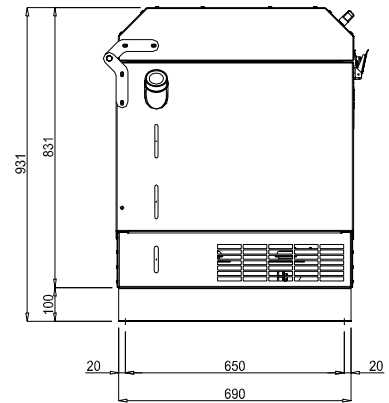
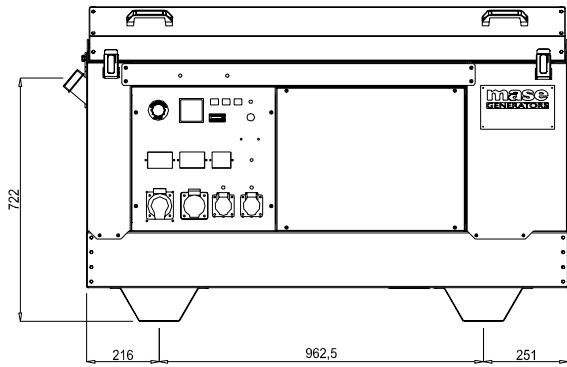


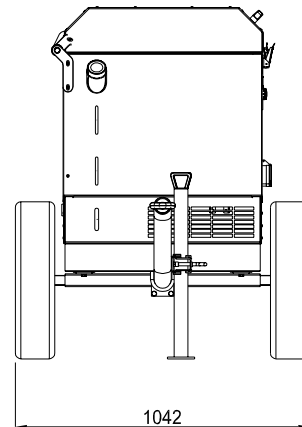
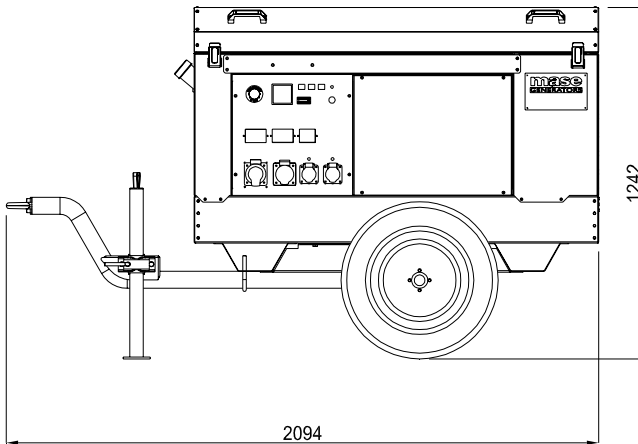
MPF 16



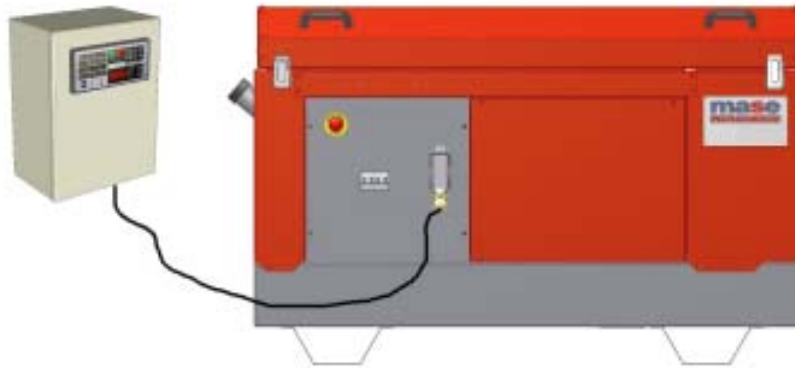
STANDARD version



FIXED TOW version



Automatic control panel and transfer switch version



	MPF 16 BA	MPF 16 TF	
Length	1429,5 - 56,2	2094 - 82,5	mm - in
Width	690 - 27	1042 - 41	mm - in
Height	931 - 36,5	1242 - 49	mm - in
Weight	470 - 1036	500 - 1102	kg - lbs
Noise power level 96 LwA			

Dealer: _____

OPTIONALS: SITE TOW VERSION

*This drawing is only a reference and is not indicatly for the installation.
For more information, you may contact your local dealer or **mase** generators S.p.A.*

mase generators S.p.A. reserves the right to change the design or specifications without notice and without any obligations or liability whatsoever
For more information, you may contact your local **mase** dealer.



MASE GENERATORS S.p.a. Via Tortona, 345
47023 Cesena (FC) Italy
Tel. +39-0547-354311 Fax. +39-0547-357555
Email : mase@masegenerators.com